

LED WORK LAMP

connexionelectrical.co.uk

LED WORK LAMP



Product name: LED Work lamp
Part No. 10908

CONTACT INFORMATION:

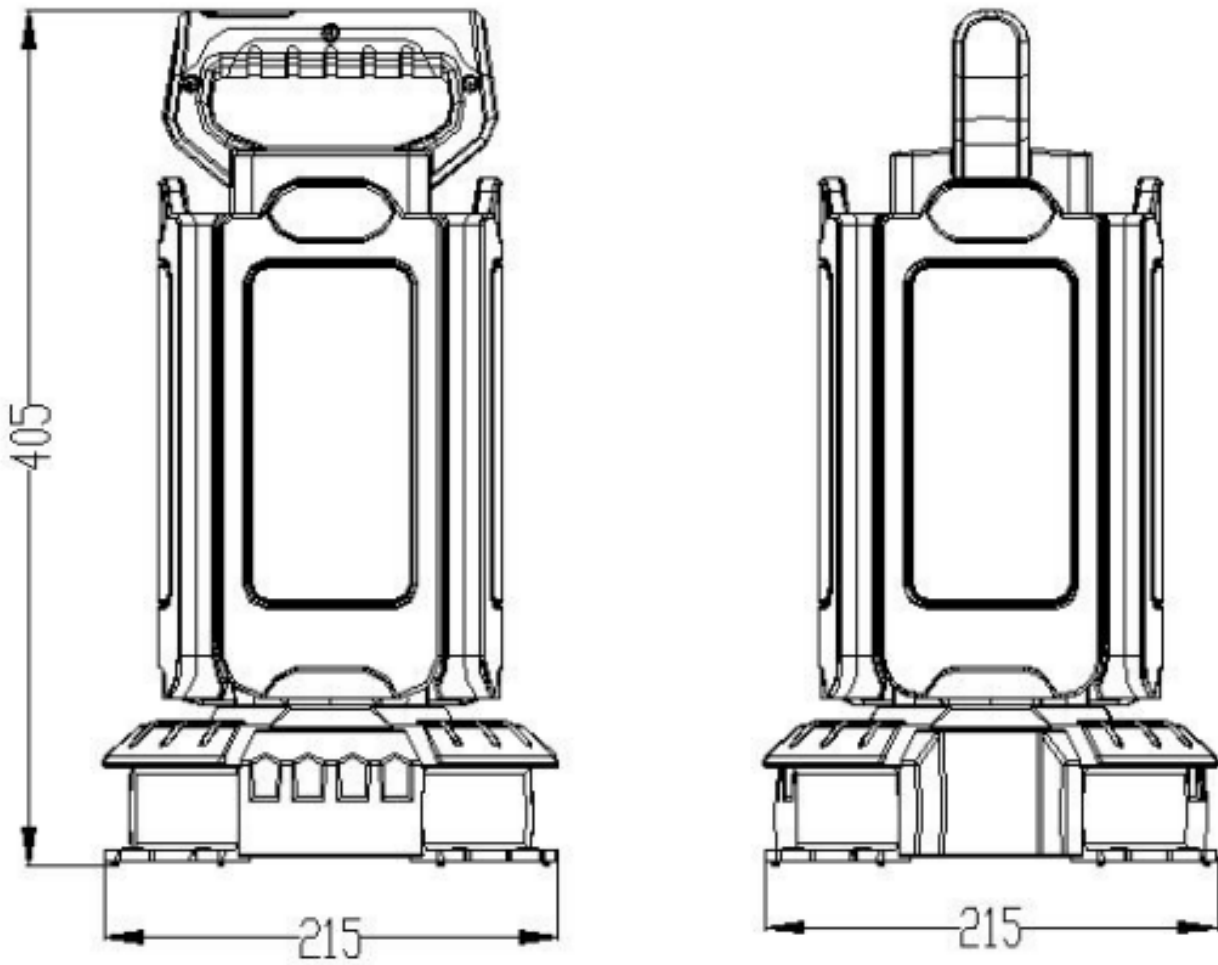
📍 9 Carlisle Road London NW9 0HD
✉ sales@connexionelectrical.co.uk

🌐 connexionelectrical.co.uk
☎ 020 8200 5451 📞 020 8205 3034

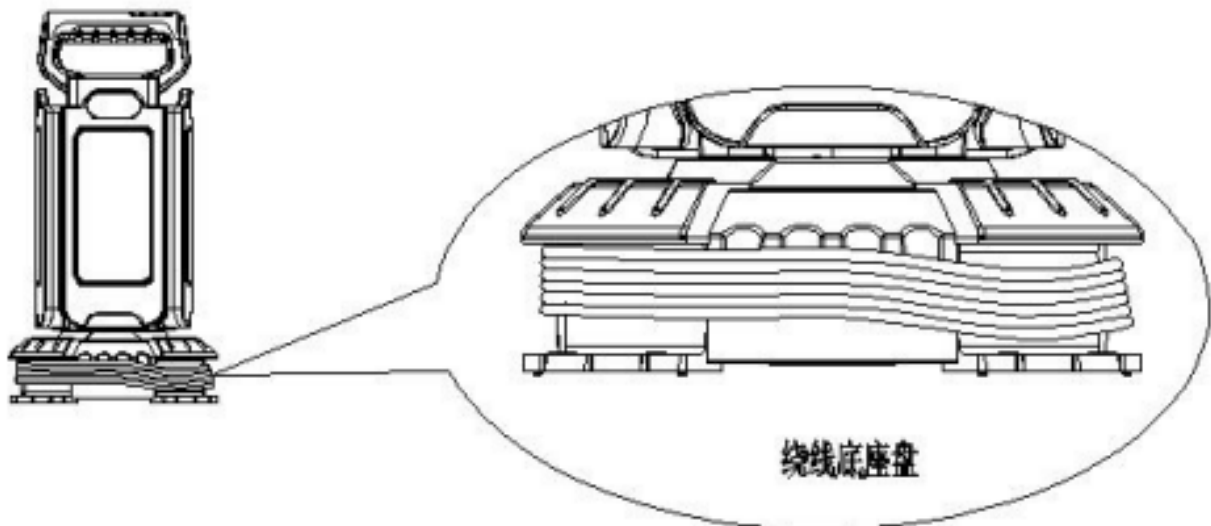
TECHNICAL SPECIFICATION:

System parameters	• Product Size	215* 215*405(mm)10959
	• main material	Aluminum + ABS
	• Safety Level	360degreeCE
	• Lighting spread	Compliant
	• IP grade	IP54
	• Protection class	1
	• Ambient temperature	-20°C - 40°C
	• type of light source	SMD 2835
	• number of light source	344 (86pcs*4)
Electrical parameters	• Input voltage	AC 100-130 V / 50Hz
	• Rated power	120W±5%
	• Power factor	>0.9
	• Output luminous	12000lm (full bright)
Optical parameters	• Lighting spread	360 degree
	• (Ra) Color rendering	Ra≥80
	• Color temperature	6500K
	• Light efficiency	>100Lm/w
	• Rated lamp life (hours)	30000hrs
Additional function	• dimmer mode switch:	100%, 50% 25%bright
	• Collar lock (using for the tripod)	Yes
	• Cable and plug	H05VV-F 3X1.5MMwith 16Aplug
Additional function	• Inner box/ N.W	26.5*22.5*42.2cm/ N/Akg
	• Carton box/ pcs	54.5*46.5*44.2cm/; 4PCS/CTN
	• N.W/G.W	3.2kg / N/A kg

2) Size parameter of LED Work Light



3) Other Description (Cable Rack)



4) Light On The Tripod (1.5mtr height tripod for option)

